

# XC31B Series

## CMOS Temperature Sensor

### GENERAL DESCRIPTION

The XC31B series are ultra small CMOS temperature sensor ICs. As a bandgap type temperature sensor is built-into the XC31B, linearity, in comparison to thermistor type temperature sensors, is much better.

The operating temperature range of the series is from -30°C to +80°C. The XC31B comes in a mini molded SOT-25 and USP-6B packages with a supply current of only 7 μA

(@V<sub>OUT</sub>=2.0V) and as such, is suitable for use with various portable devices. Output voltage is selectable in 0.1V increments within a range of 2.0V to 6.0V (at 25°C).

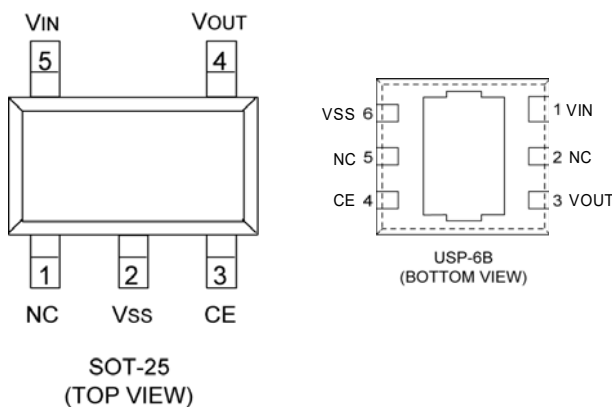
### APPLICATIONS

- Mobile phones
- Portable AV equipment
- Palm top computers, PDAS
- Battery powered equipment

### FEATURES

- Operating Voltage Range** : 3.0V ~ 10.0V
- Output Voltage Range** : 2.0V~ 6.0V
- Output Voltage Accuracy** : ±3%
- Detectable Temperature Range** : -30°C ~ +80°C
- Output Voltage Temp. Coefficient**: -3900ppm/°C (TYP.)
- Low Power Consumption** : 7 μA (@V<sub>OUT</sub>=2.0V)
- Packages** : SOT-25, USP-6B
- Environmentally Friendly** : EU RoHS Compliant, Pb Free

### PIN CONFIGURATION



### PIN ASSIGNMENT

PIN NUMBER		PIN NAME	FUNCTION
SOT-25	USP-6		
1	2, 5	NC	No Connection
2	6	VSS	Ground
3	4	CE	Chip Enable
4	3	VOUT	Output
5	1	VIN	Power Supply

\*The dissipation pad for the USP-6B package should be solder-plated in recommended mount pattern and metal masking so as to enhance mounting strength and heat release.  
If the pad needs to be connected to other pins, it should be connected to the Vss pin.

## PRODUCT CLASSIFICATION

### Ordering Information

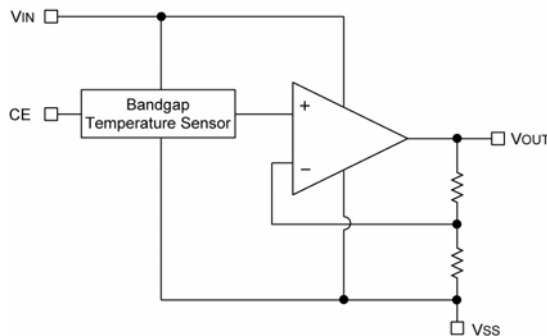
XC31B①②③④⑤⑥⑦-⑧<sup>(\*)</sup>

DESIGNATOR	DESCRIPTION	SYMBOL	DESCRIPTION
①	Polarity of Output Voltage	P	+ (Positive)
②	Temperature Coefficient	N	- (Negative)
③④	Output Voltage (25°C)	20~60	e.g. 20=2.0V, 30=3.0V
⑤	Revision Character	A ~	-
⑥⑦-⑧	Packages Taping Type <sup>(*)</sup>	MR	SOT-25
		MR-G	SOT-25
		DR	USP-6B

<sup>(\*)</sup> The "-G" suffix indicates that the products are Halogen and Antimony free as well as being fully RoHS compliant.

<sup>(\*)</sup> The device orientation is fixed in its embossed tape pocket. For reverse orientation, please contact your local Torex sales office or representative. (Standard orientation: ⑥R-⑧ Reverse orientation: ⑥L-⑧)

## BLOCK DIAGRAM



## ABSOLUTE MAXIMUM RATINGS

Ta=25°C, Vss=0V

PARAMETER	SYMBOL	RATINGS	UNIT
Input Voltage	V <sub>IN</sub>	-0.3 ~ 12	V
Output Voltage	V <sub>OUT</sub>	-0.3 ~ 12	V
CE Pin Voltage	V <sub>CE</sub>	-0.3 ~ V <sub>IN</sub> +0.3	V
Output Current	I <sub>OUT</sub>	20	mA
Power Dissipation	SOT-25	Pd	mW
	USP-6B		
Operating Temperature Range	T <sub>opr</sub>	-30 ~ +80	°C
Storage Temperature Range	T <sub>stg</sub>	-40 ~ +125	°C

## ■ ELECTRICAL CHARACTERISTICS

XC31BPN20A  $V_{OUT(T)}^{(*)1} = 2.0V$

PARAMETER	SYMBOL	CONDITIONS	MIN.	TYP.	MAX.	UNITS
Input Voltage	$V_{IN}$		—	—	10	V
Output Voltage	$V_{OUT}$	$I_{OUT} = 100 \mu A^{(*)2}$ , $V_{IN} = 4.0V$ , $T_a = 25^\circ C$	1.94	2.0	2.06	V
Detectable Temperature Range			-30	—	+80	$^\circ C$
Output Voltage Temperature Coefficient	$T_D^{(*)3}$	$I_{OUT} = 100 \mu A$ , $V_{IN} = 4.0V$ $-30^\circ C \leq T_a \leq 80^\circ C$	-3400	-3900	-4400	ppm/ $^\circ C$
Temperature Sensitivity	$T_{SE}$	$-30^\circ C \leq T_a \leq 80^\circ C$	-6.8	-7.8	-8.8	mV/ $^\circ C$
Linearity Margin Error	$T_L^{(*)4}$	$-30^\circ C \leq T_a \leq 80^\circ C$	—	1	3.5	%
Load Regulation	$\Delta V_{OUT}$	$V_{IN} = 4.0V$ $1 \mu A \leq I_{OUT} \leq 100 \mu A$	—	2.0	—	mV
Supply Current 1	$I_{SS1}$	$V_{IN} = V_{CE} = 4.0V$ , $T_a = 25^\circ C$	—	7	17	$\mu A$
Supply Current 2	$I_{SS2}$	$V_{IN} = 4.0V$ , $V_{CE} = V_{SS}$ , $T_a = 25^\circ C$	—	—	0.1	$\mu A$
CE "High" Level Voltage	$V_{CEH}$		1.5	—	—	V
CE "Low" Level Voltage	$V_{CEL}$		—	—	0.3	V

XC31BPN40A  $V_{OUT(T)}^{(*)1} = 4.0V$

PARAMETER	SYMBOL	CONDITIONS	MIN.	TYP.	MAX.	UNITS
Input Voltage	$V_{IN}$		—	—	10	V
Output Voltage	$V_{OUT}$	$I_{OUT} = 100 \mu A^{(*)2}$ , $V_{IN} = 6.0V$ , $T_a = 25^\circ C$	3.88	2.0	4.12	V
Detectable Temperature Range			-30	—	+80	$^\circ C$
Output Voltage Temperature Coefficient	$T_D^{(*)3}$	$I_{OUT} = 100 \mu A$ , $V_{IN} = 6.0V$ $-30^\circ C \leq T_a \leq 80^\circ C$	-3400	-3900	-4400	ppm/ $^\circ C$
Temperature Sensitivity	$T_{SE}$	$-30^\circ C \leq T_a \leq 80^\circ C$	-13.6	-15.6	-17.6	mV/ $^\circ C$
Linearity Margin Error	$T_L^{(*)4}$	$-30^\circ C \leq T_a \leq 80^\circ C$	—	1	3.5	%
Load Regulation	$\Delta V_{OUT}$	$V_{IN} = 6.0V$ $1 \mu A \leq I_{OUT} \leq 100 \mu A$	—	3.0	—	mV
Supply Current 1	$I_{SS1}$	$V_{IN} = V_{CE} = 6.0V$ , $T_a = 25^\circ C$	—	8	18	$\mu A$
Supply Current 2	$I_{SS2}$	$V_{IN} = 6.0V$ , $V_{CE} = V_{SS}$ , $T_a = 25^\circ C$	—	—	0.1	$\mu A$
CE "High" Level Voltage	$V_{CEH}$		1.5	—	—	V
CE "Low" Level Voltage	$V_{CEL}$		—	—	0.3	V

NOTE:

\*1:  $V_{OUT(T)}$  = Specified output voltage at 25 $^\circ C$ .

\*2: When output current exceed 100  $\mu A$ , output voltage drop will increase.

If this IC is to be used in applications where such currents are required, please use a buffer on the output

\*3: Output voltage temperature coefficient ( $T_D$ ) is defined as:

$$T_D = \frac{\Delta V_{OUT}}{T_a \cdot V_{OUT}}$$

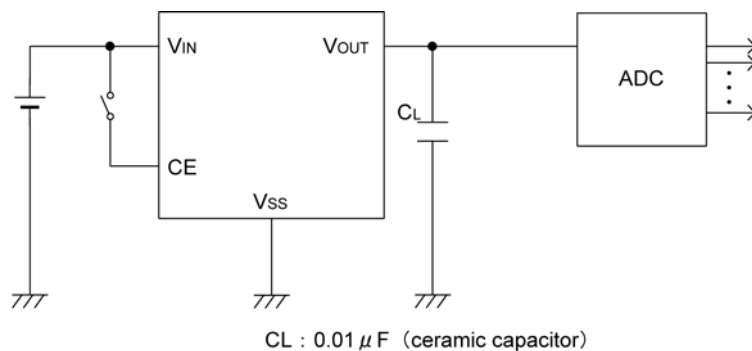
\*4: Linearity margin error ( $T_L$ ) is calculated as follows:

$$T_L = \frac{e_{max}}{T_{se} \cdot \Delta T_a}$$

where  $e_{max}$  = maximum error.

The maximum error is the maximum difference between the actual measured value and the value on an approximated straight line.

## ■ TYPICAL APPLICATION CIRCUIT

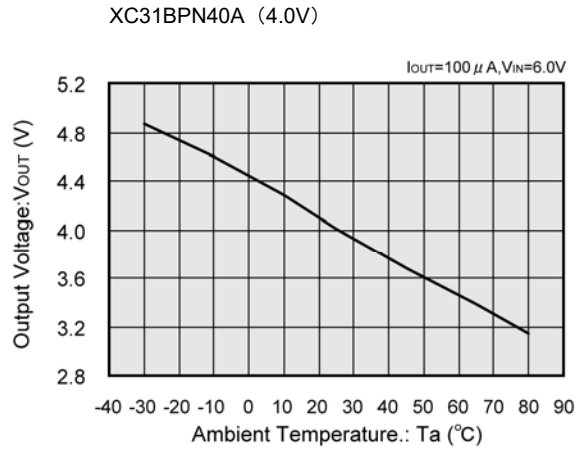
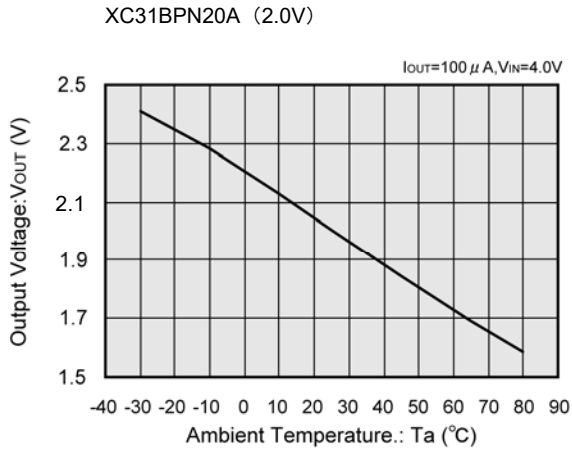


## ■ NOTE ON USE

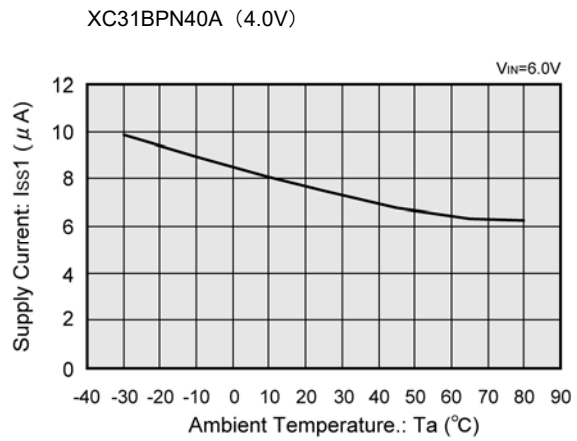
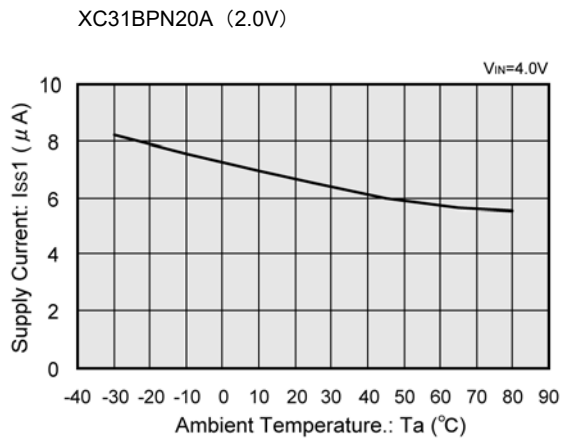
1. When the load capacitance  $C_L$  is too large, oscillation may occur on the output signal.
2. Output signal overshoot will occur when the power ( $V_{IN}$ ) is switched on or when the power drastically fluctuates. The chip enable (CE) function is effective for helping to avoid overshoot and also in saving consumption current.

## ■ TYPICAL PERFORMANCE CHARACTERISTICS

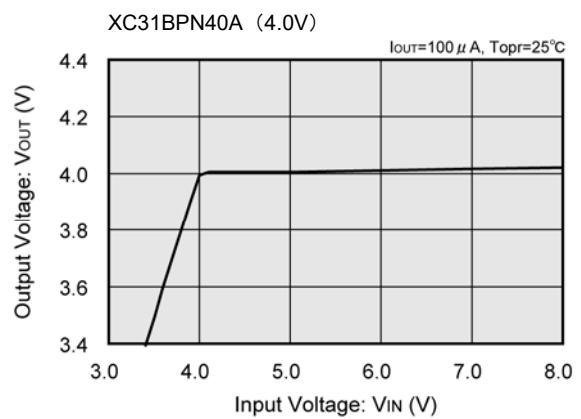
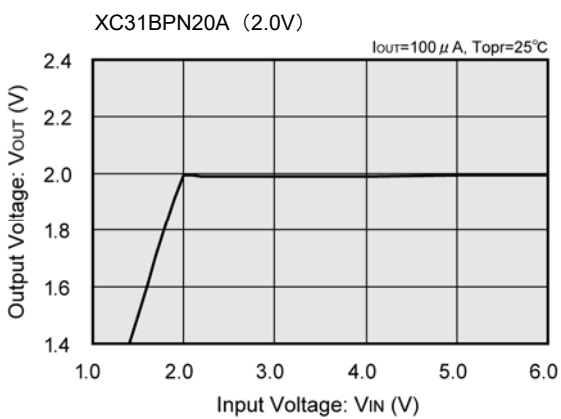
### (1) Output Voltage vs. Ambient Temperature



### (2) Supply Current vs. Ambient Temperature

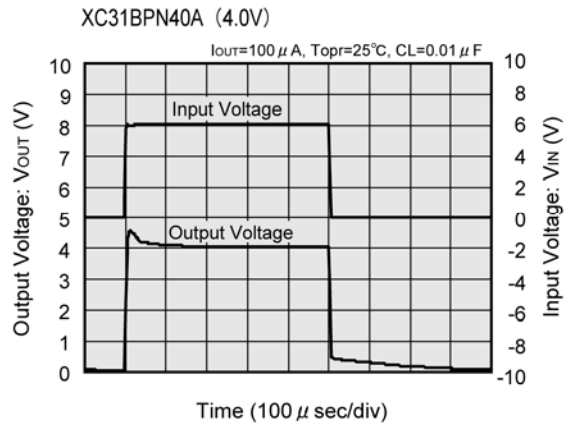
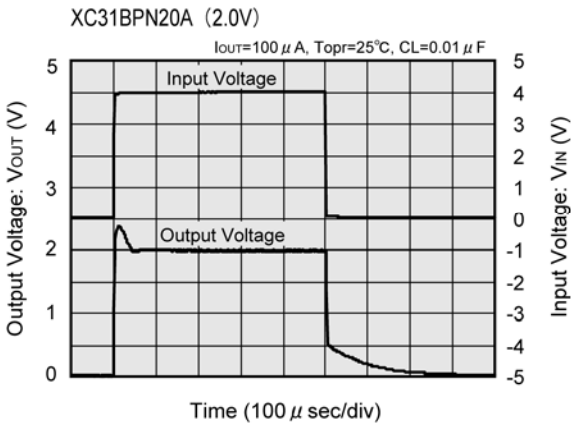


### (3) Output Voltage vs. Input Voltage

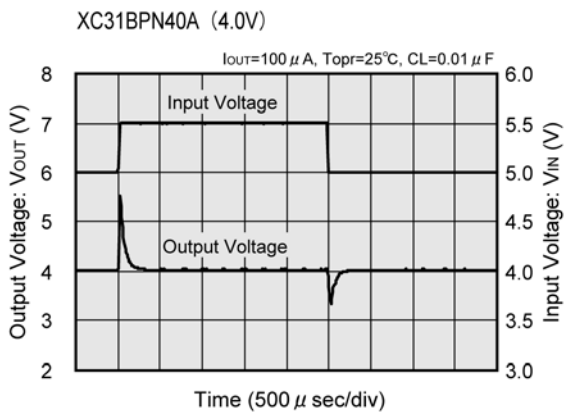
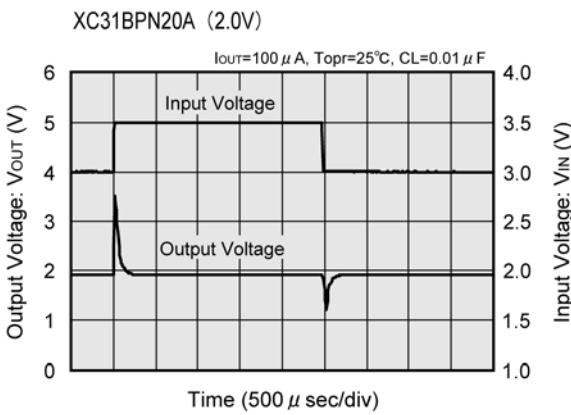


## TYPICAL PERFORMANCE CHARACTERISTICS(Continued)

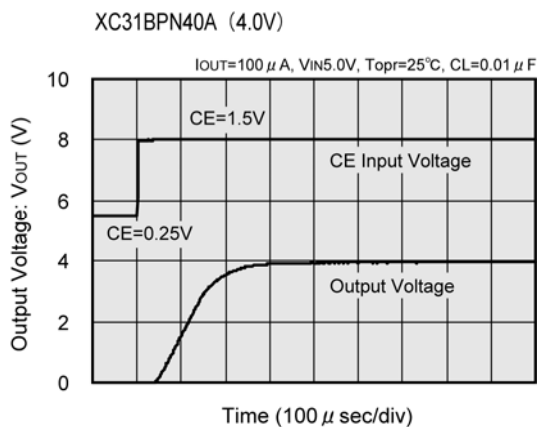
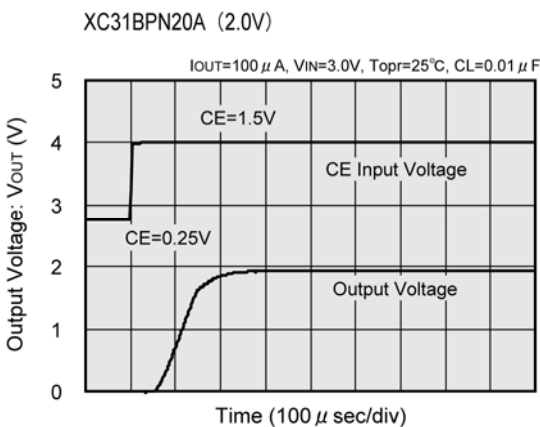
### (4) Input Transient Response 1



### (5) Input Transient Response 2

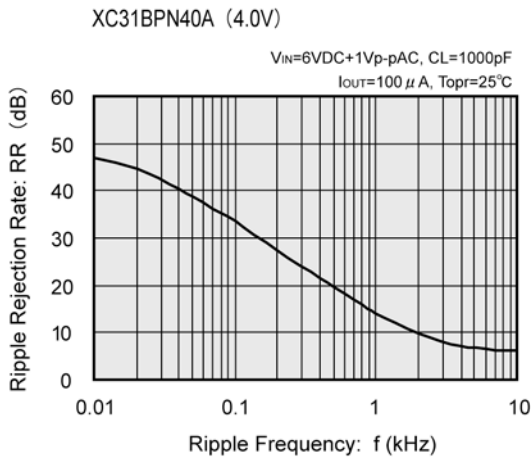


### (6) CE Pin Transient Response



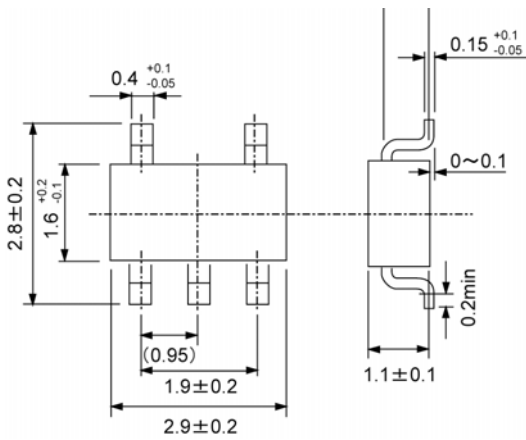
■ **TYPICAL PERFORMANCE CHARACTERISTICS(Continued)**

(7) Ripple Rejection Rate

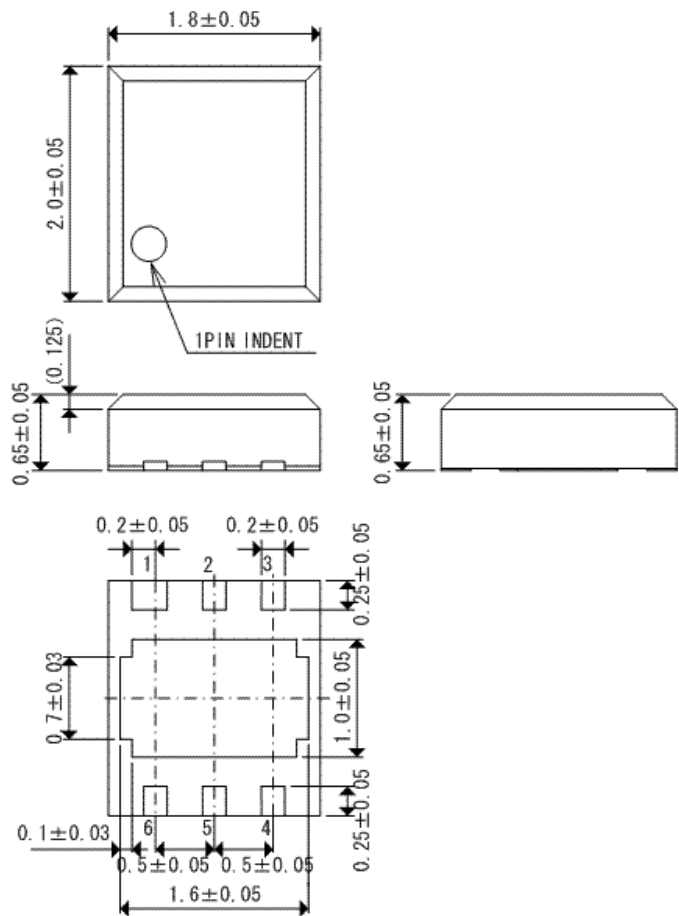


■ **PACKAGING INFORMATION**

● SOT-25

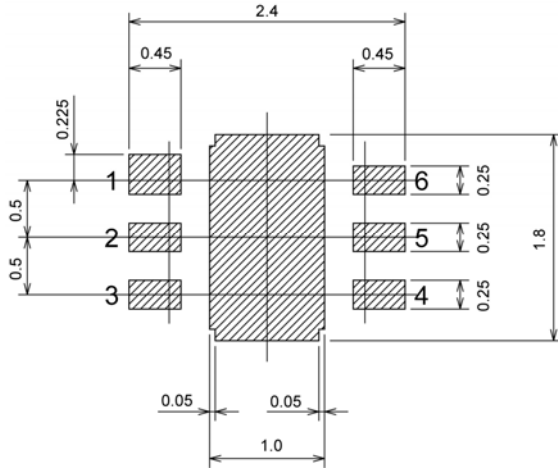


● USP-6B

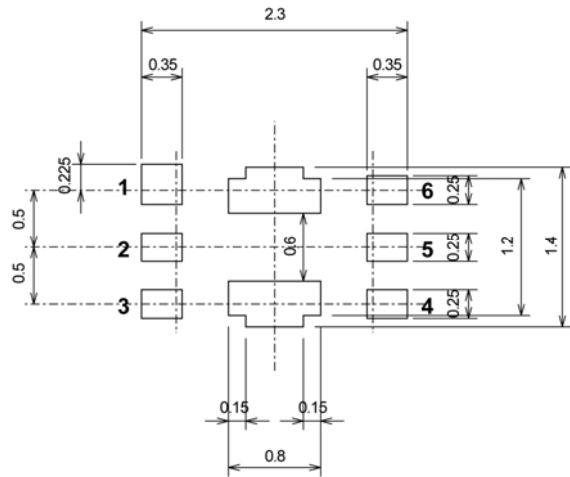


**PACKAGING INFORMATION (Continued)**

● USP-6B Recommended Pattern Layout



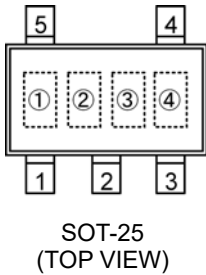
● USP-6B Recommended Metal Mask Design





## MARKING RULE

● SOT-25



① based on internal standards

② represents integer of output voltage

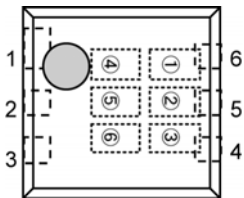
MARK	VOLTAGE (V)
2	2.x
3	3.x
4	4.x
5	5.x
6	6.x

③ represents decimal number point of output voltage

MARK	VOLTAGE (V)
0	x.0
1	x.1
2	x.2
3	x.3
4	x.4
5	x.5
6	x.6
7	x.7
8	x.8
9	x.9

④ represents assembly lot number  
(Based on internal standards)

● USP-6B



① represents polarity of output voltage

MARK	POLARITY	PRODUCT SERIES
P	+	XC31BPN**AD*

② represents temperature coefficient

MARK	COEFFICIENT	PRODUCT SERIES
N	-	XC31BPN**AD*

③④ represents output voltage(25°C)

Ex)

MARK		VOLTAGE (V)	PRODUCT SERIES
③	④		
2	0	2.0	XC31BPN20AD*
3	0	3.0	XC31BPN30AD*

⑤ represents revision character

Ex)

MARK	PRODUCT SERIES
A	XC31BPN**AD*

⑥ represents production lot number

0~9, A~Z repeated. (G, I, J, O, Q, W excluded)

\*No character inversion used.

1. The products and product specifications contained herein are subject to change without notice to improve performance characteristics. Consult us, or our representatives before use, to confirm that the information in this datasheet is up to date.
2. We assume no responsibility for any infringement of patents, patent rights, or other rights arising from the use of any information and circuitry in this datasheet.
3. Please ensure suitable shipping controls (including fail-safe designs and aging protection) are in force for equipment employing products listed in this datasheet.
4. The products in this datasheet are not developed, designed, or approved for use with such equipment whose failure or malfunction can be reasonably expected to directly endanger the life of, or cause significant injury to, the user.  
(e.g. Atomic energy; aerospace; transport; combustion and associated safety equipment thereof.)
5. Please use the products listed in this datasheet within the specified ranges.  
Should you wish to use the products under conditions exceeding the specifications, please consult us or our representatives.
6. We assume no responsibility for damage or loss due to abnormal use.
7. All rights reserved. No part of this datasheet may be copied or reproduced without the prior permission of TOREX SEMICONDUCTOR LTD.

**TOREX SEMICONDUCTOR LTD.**