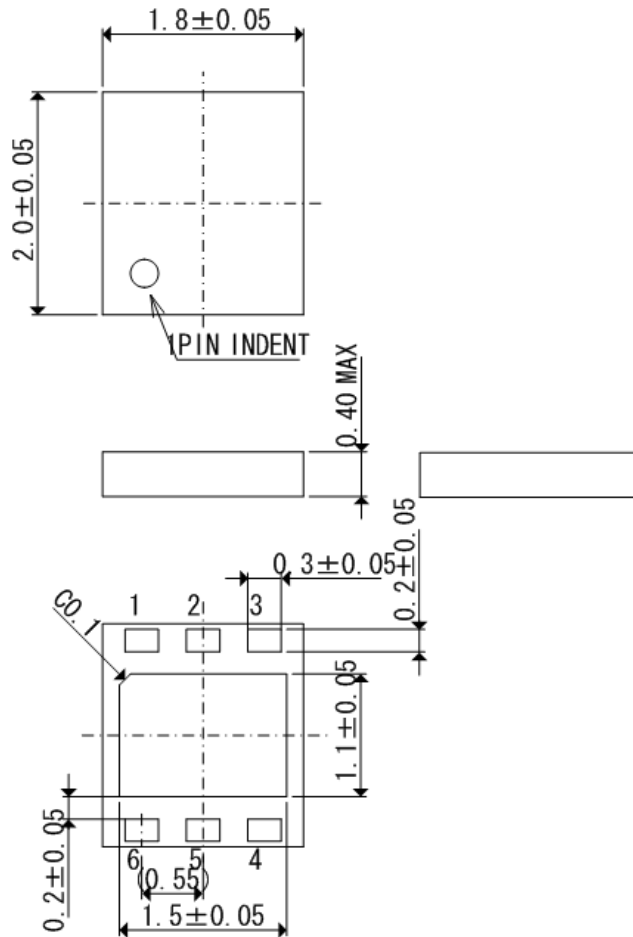


Packaging Information / Reference Pattern Layout Dimensions

● USP-6EL

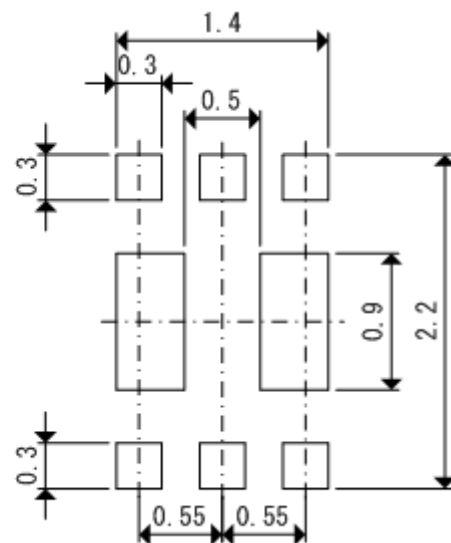
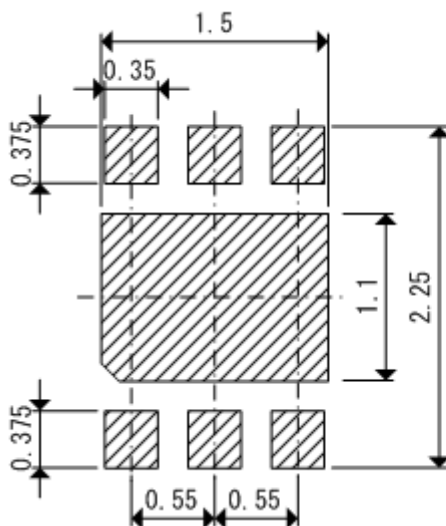
Unit: mm

■ Packaging Information



■ Reference Pattern Layout Dimension

Note : reference metal mask design



• Solder thickness: $120\mu\text{m}$ (Ref.)