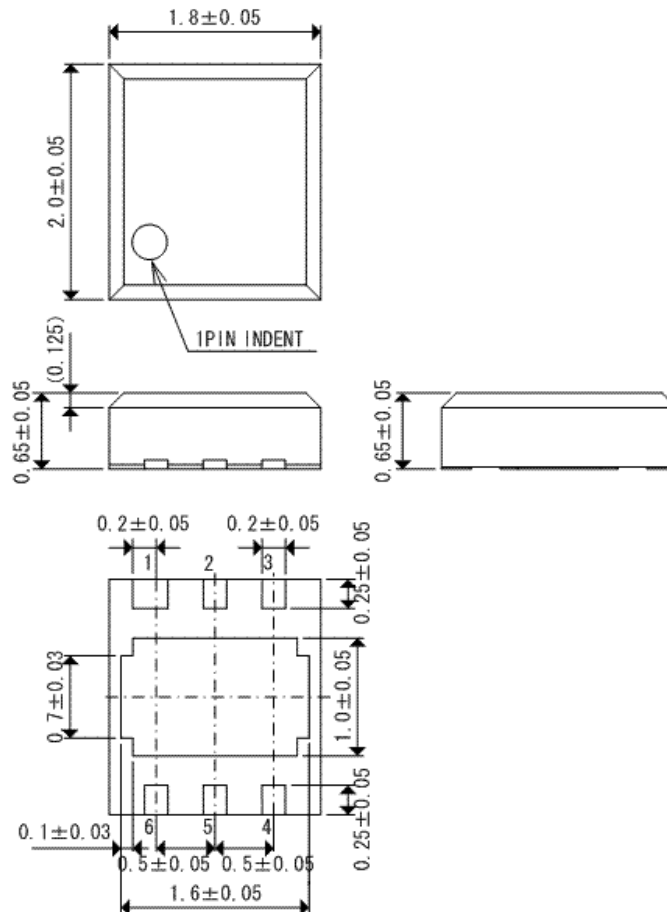


Packaging Information / Reference Pattern Layout Dimensions

● USP-6B

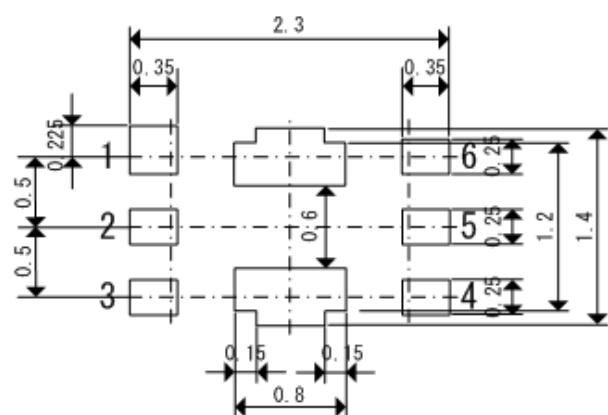
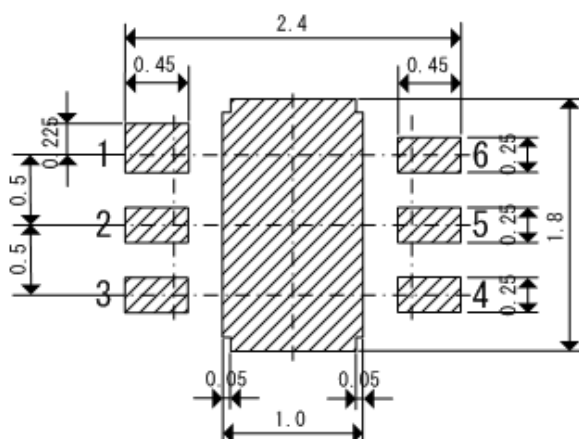
Unit: mm

■ Packaging Information



■ Reference Pattern Layout Dimension

■ Recommended Metal Mask Design(Reference)



• Solder thickness: 120µm (Ref.)