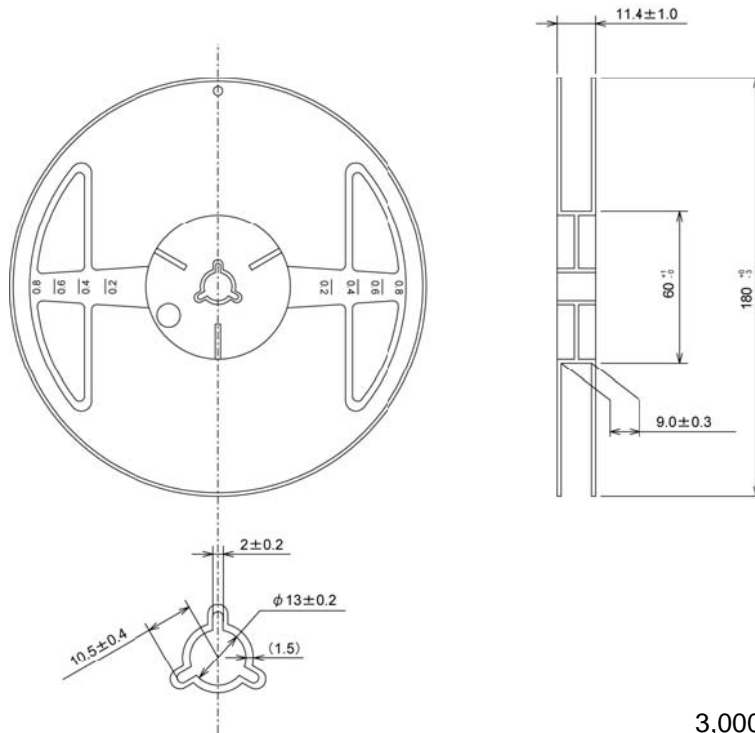


テーピング仕様/Taping Specifications

SOT-25

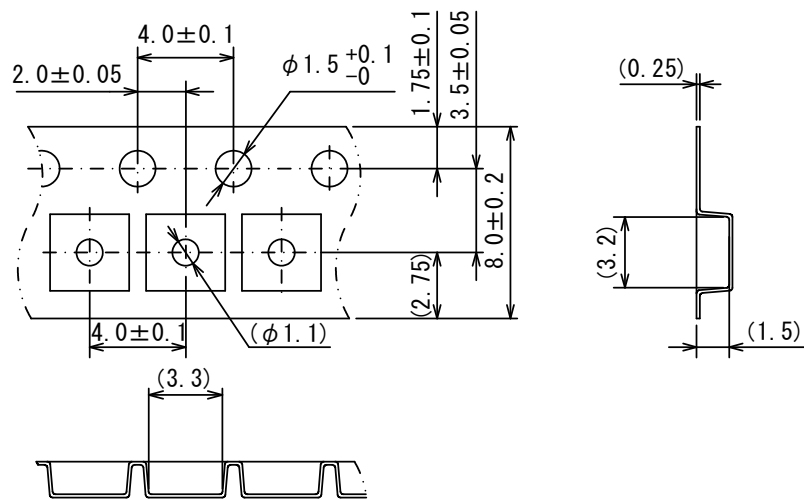
Unit: mm

●リール/Reel



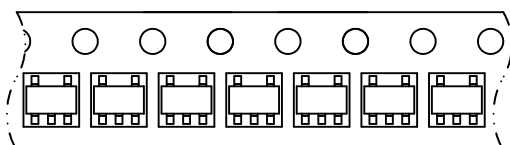
3,000pcs/reel

●テーピング仕様/Taping Specifications



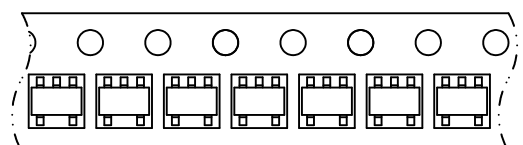
Direction of feed →

Direction of feed →



R Type :[Device orientation : Right]

Standard feed



L Type :[Device orientation : Left]

Reverse feed

(XC61J, XC6120 Series Only)