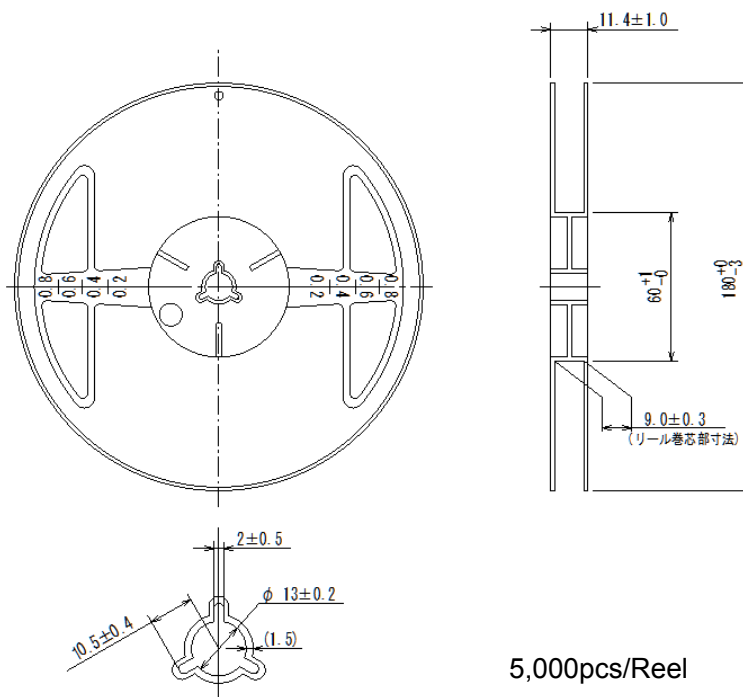


テーピング仕様 / Taping Specifications

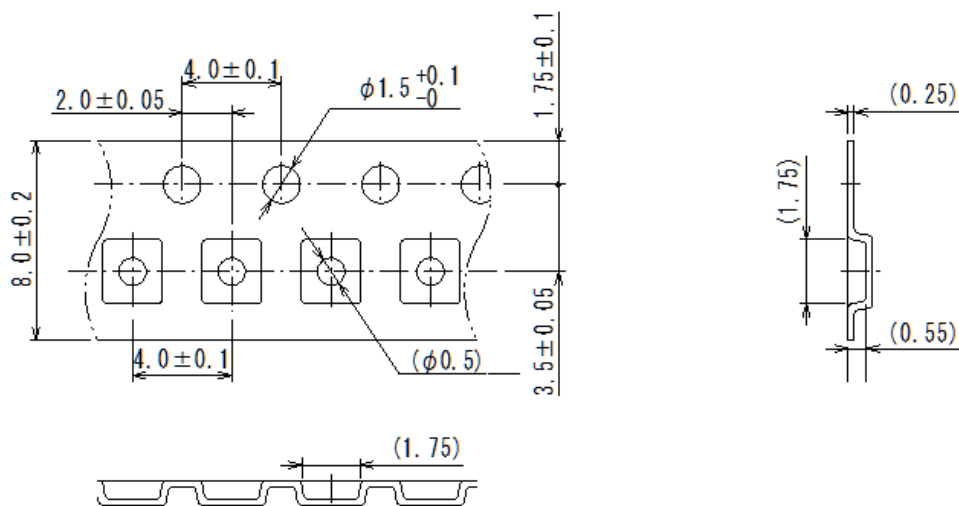
DFN1515-6A

●リール/Reel

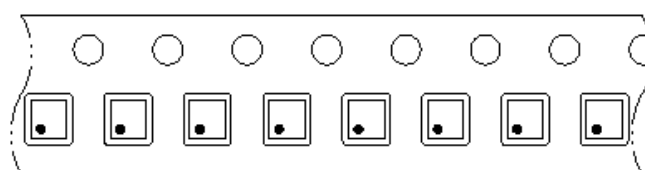


5,000pcs/Reel

●テーピング仕様/Taping Specifications



Direction of feed →



R Type:[Device orientation : Right]

Standard feed